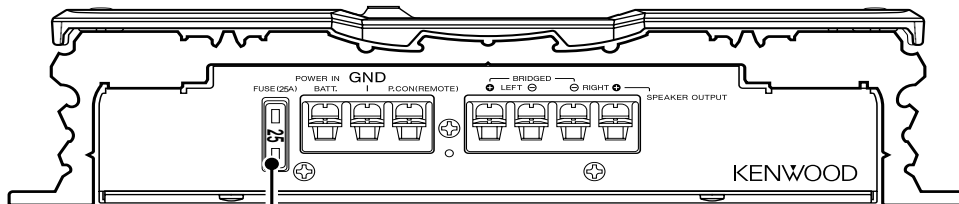
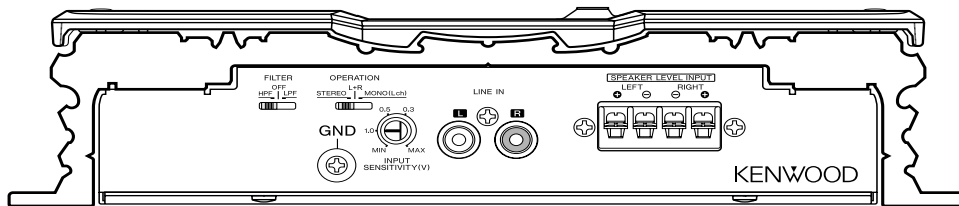
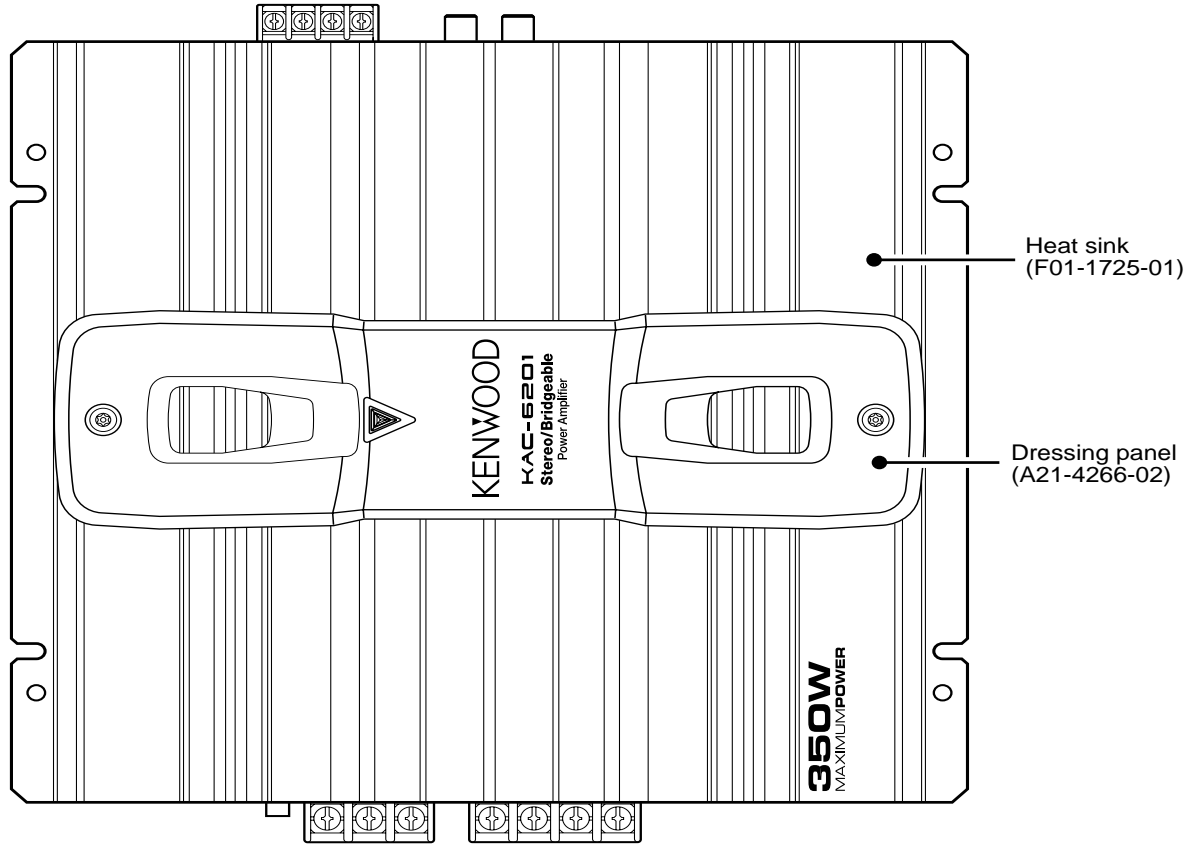


KAC-6201

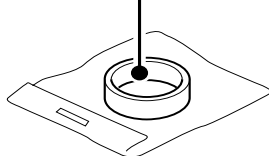
SERVICE MANUAL

© 2002-11 PRINTED IN JAPAN
B53-0009-00 (N) 3540

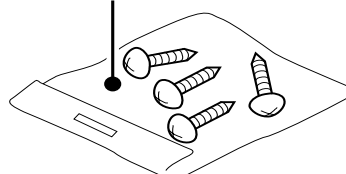


Fuse (F52-0014-05)

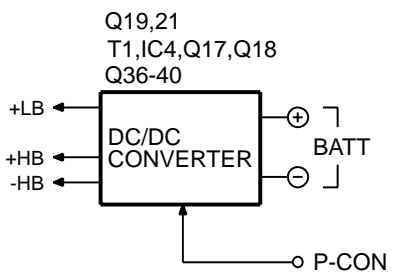
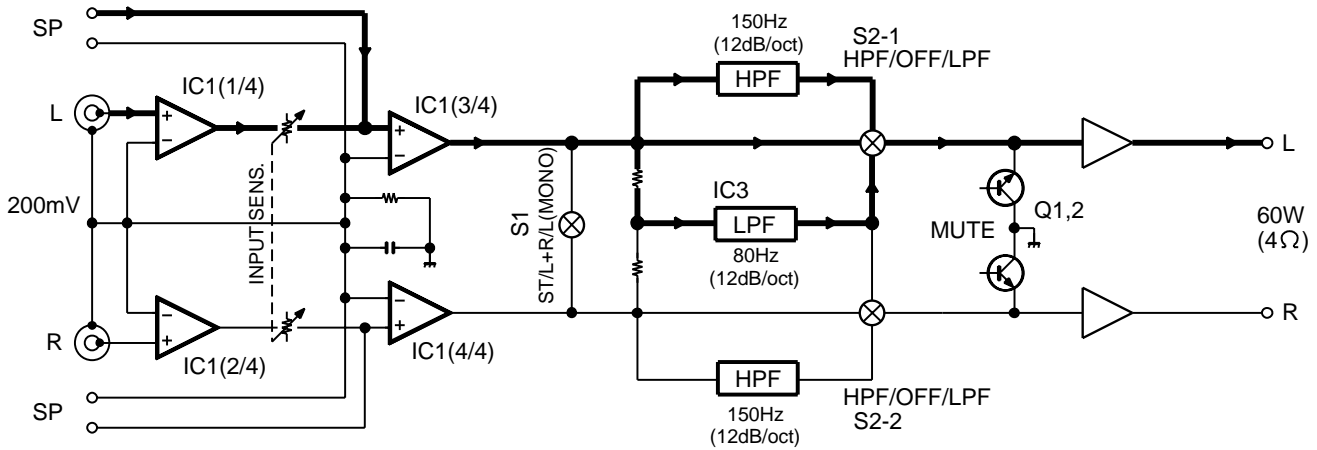
Accessory (W01-1607-05)



Screw set (N99-1587-05)

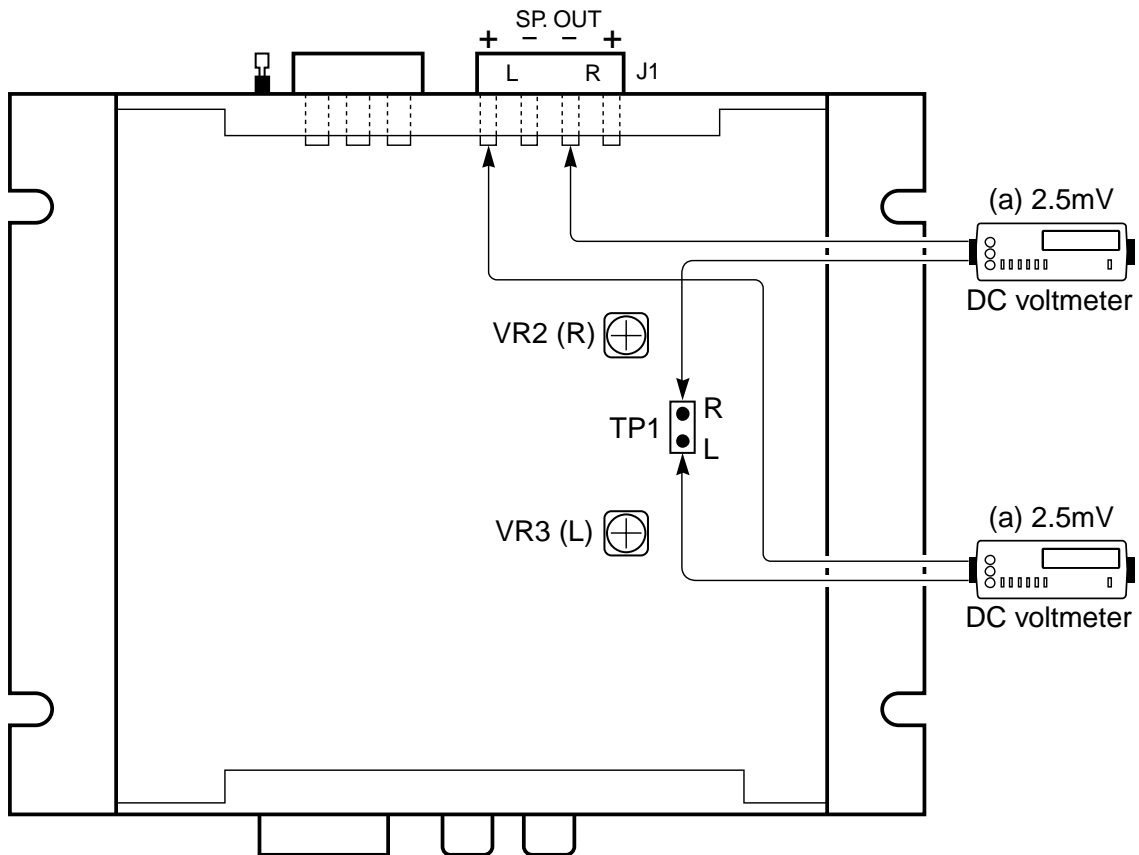


BLOCK DIAGRAM



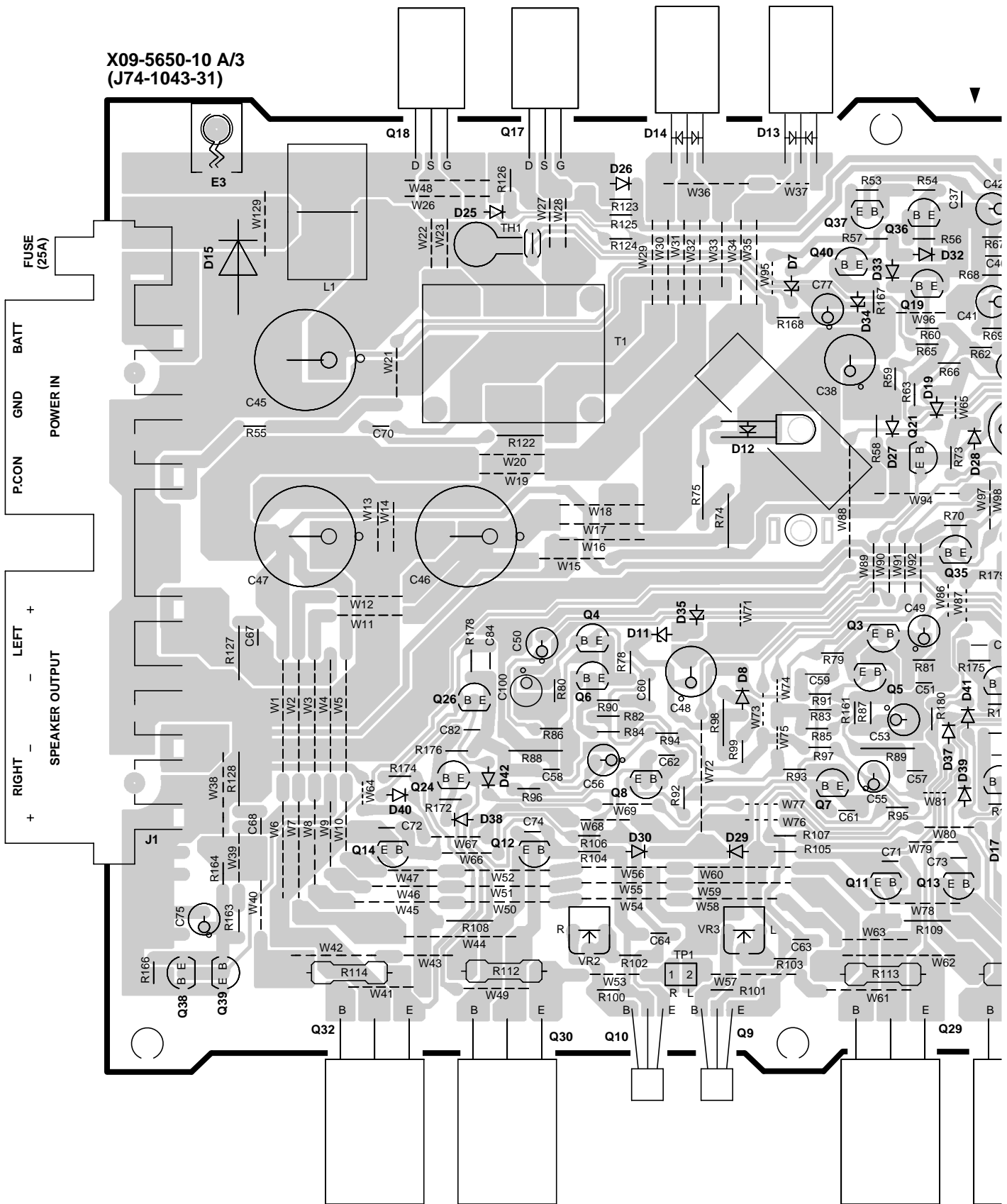
ADJUSTMENT

No.	ITEM	INPUT SETTINGS	OUTPUT SETTINGS	RECEIVER SETTINGS	ALIGNMENT POINTS	ALIGN FOR	FIG.
Connect a cassette receiver or CD receiver.							
1	IDLE CURRENT	-	Connect a DC voltmeter between TP1 (L/R) and J1(SP. OUT, L+/R-)	VOLUME : 0	VR2 (R ch) VR3 (L ch) (X09-)	2.5mV	(a)



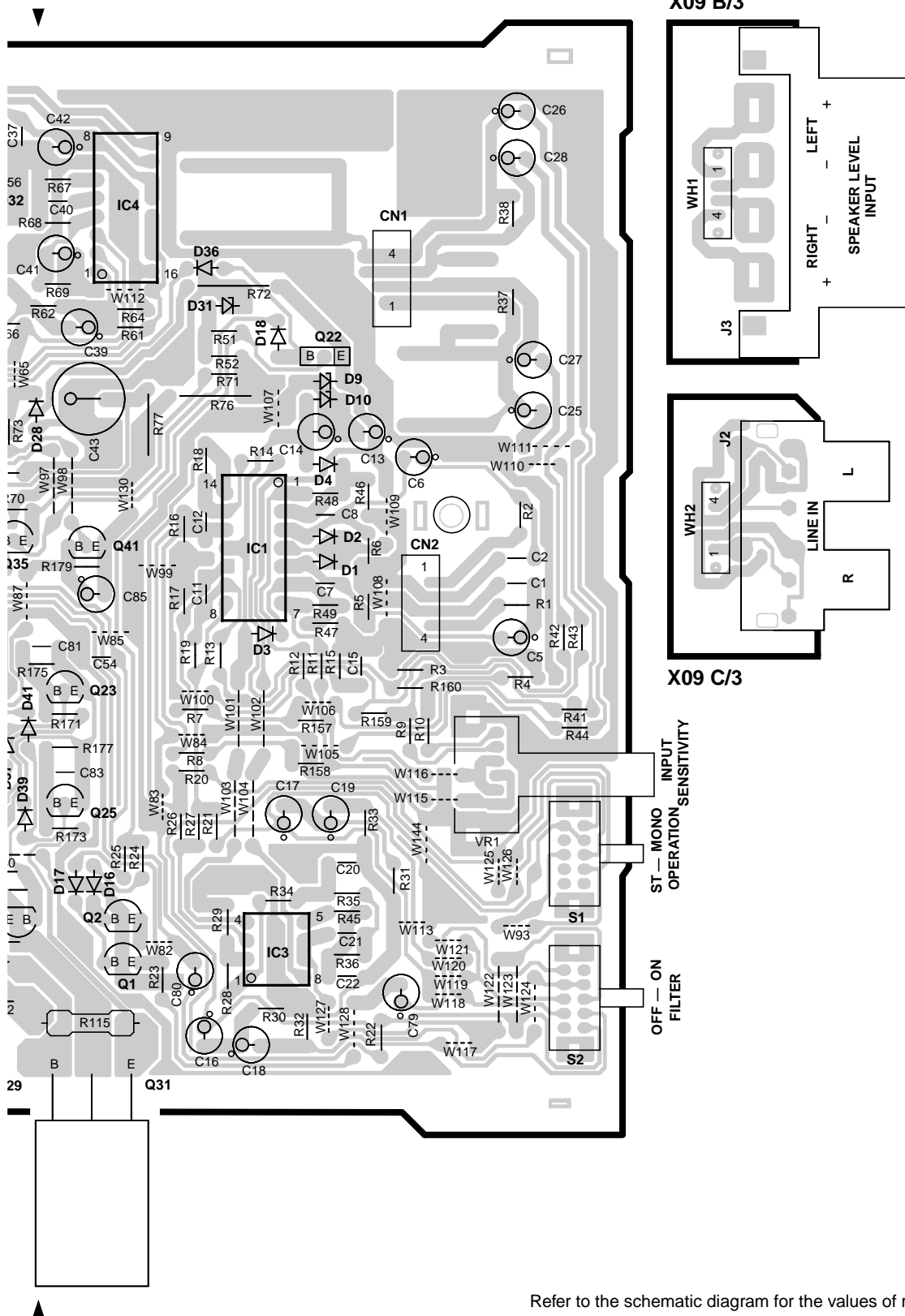
PC BOARD (FOIL SIDE VIEW)

X09-5650-10 A/3
(J74-1043-31)



X09-5650-10

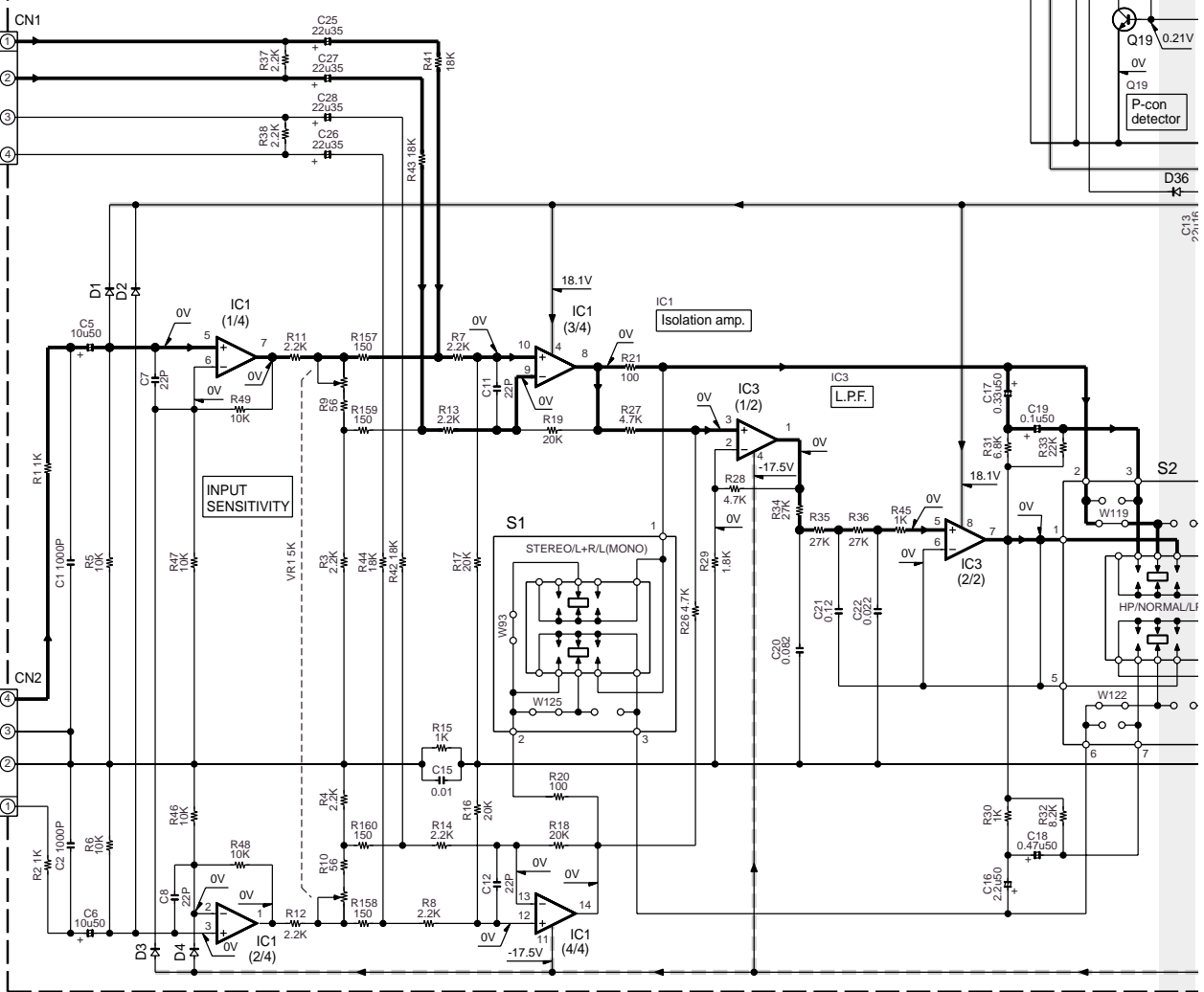
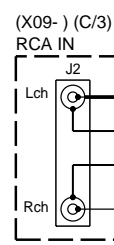
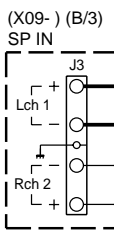
IC	Q	Address
1		4G
3		5G
4		2F
	1	6F
	2	5F
	3	4E
	4	4D
	5	4E
	6	4D
	7	5E
	8	5D
	9	6D
	10	6D
	11	5E
	12	5C
	13	5E
	14	5B
	17	2C
	18	2C
	19	3E
	21	3E
	22	3G
	23	4F
	24	5C
	25	5F
	26	4C
	29	6E
	30	6C
	31	6F
	32	6B
	35	4E
	36	2E
	37	2E
	38	6B
	39	6B
	40	2E
	41	4F



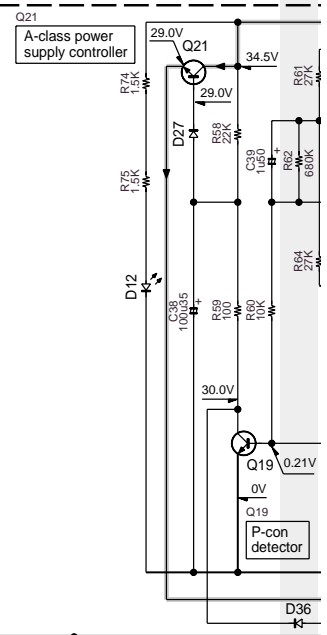
Refer to the schematic diagram for the values of resistors and capacitors.

AUDIO UNIT (X09-5650-10) (A/3)

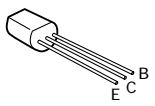
IC1 : UPC4574C	Q1,2,7,8,19,23,24,35,36,38-40	D1-4,8,16-19,25-30,32,33,36-42
IC3 : NJM4565D	: 2SC945(A)(Q,P)	: 1SS133
IC4 : UPC494C	Q3-6,37 : 2SA733(A)(Q,P)	D7 : RD7.5JS(B)
	Q9,10 : 2SC945(A)(Q,P)	D9,10,34 : RD16JS(B)
	Q11,12 : 2SC1627A	D11,35 : RD8.2JS(B)
	Q13,14 : 2SA817A	D13 : FMU22S*A
	Q17,18 : IRFIZ34G	D14 : FMU22R*A
	Q21 : 2SC3940A(R,S)	D15 : 1N5406-M
	Q22 : DTA124EL	D31 : RD5.1JS(B2)
	Q25,26 : 2SA992(F,E)	
	Q29,30 : 2SC5100LB	
	Q31,32 : 2SA1908LB	
	Q41 : 2SC1845(F,E)	



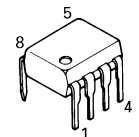
===== SIGNAL LINE
 ===== GND LINE
 ===== +B LINE
 ===== -B LINE



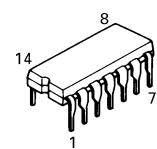
- 2SA733(A)
- 2SA817A
- 2SA992
- 2SC1627A
- 2SC1845
- 2SC3940A
- 2SC945(A)



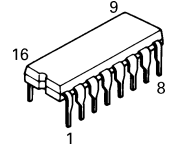
NJM4565D



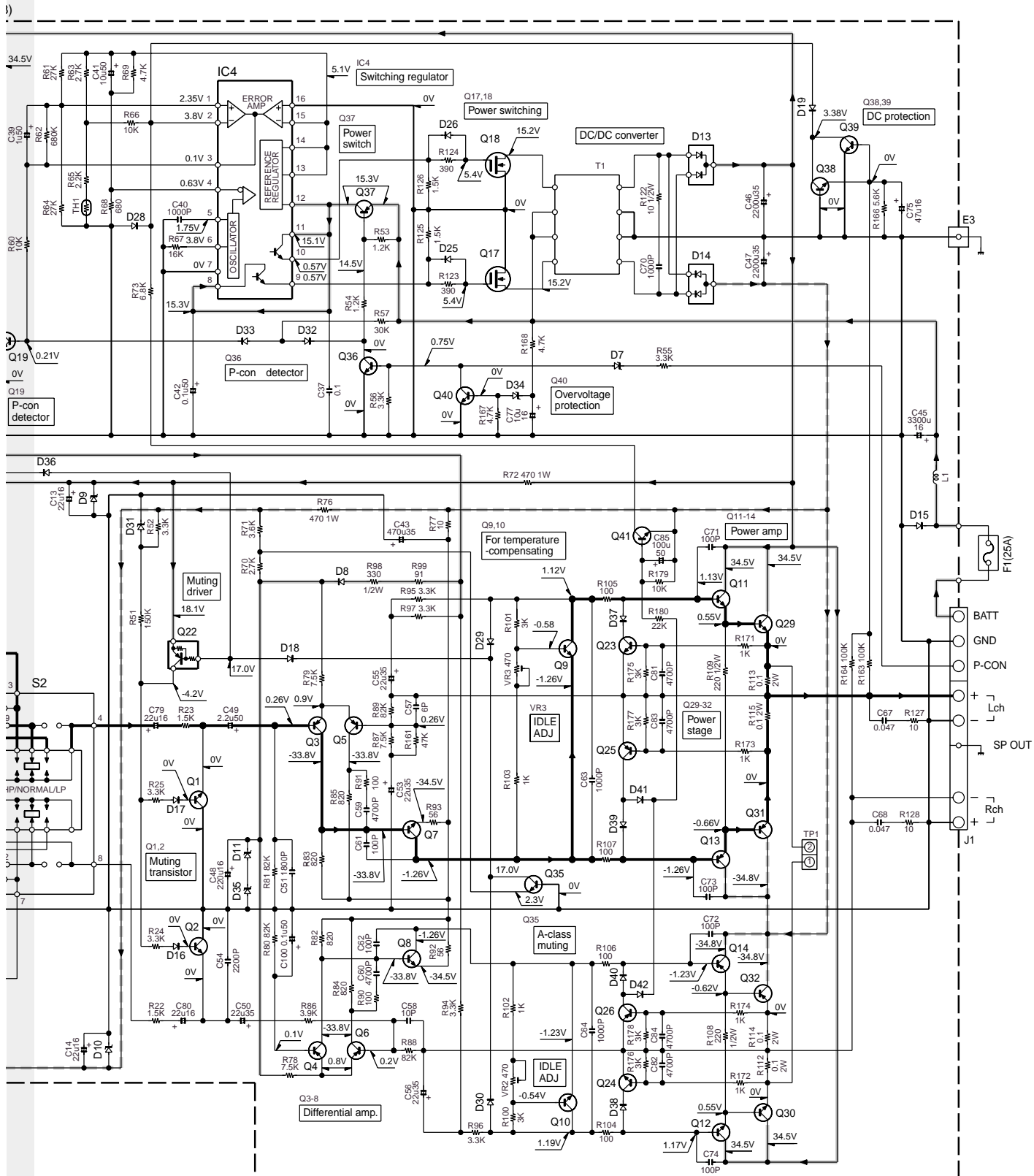
UPC4574C



UPC494C



1
2
3
4
5
6
7



KAC-6201

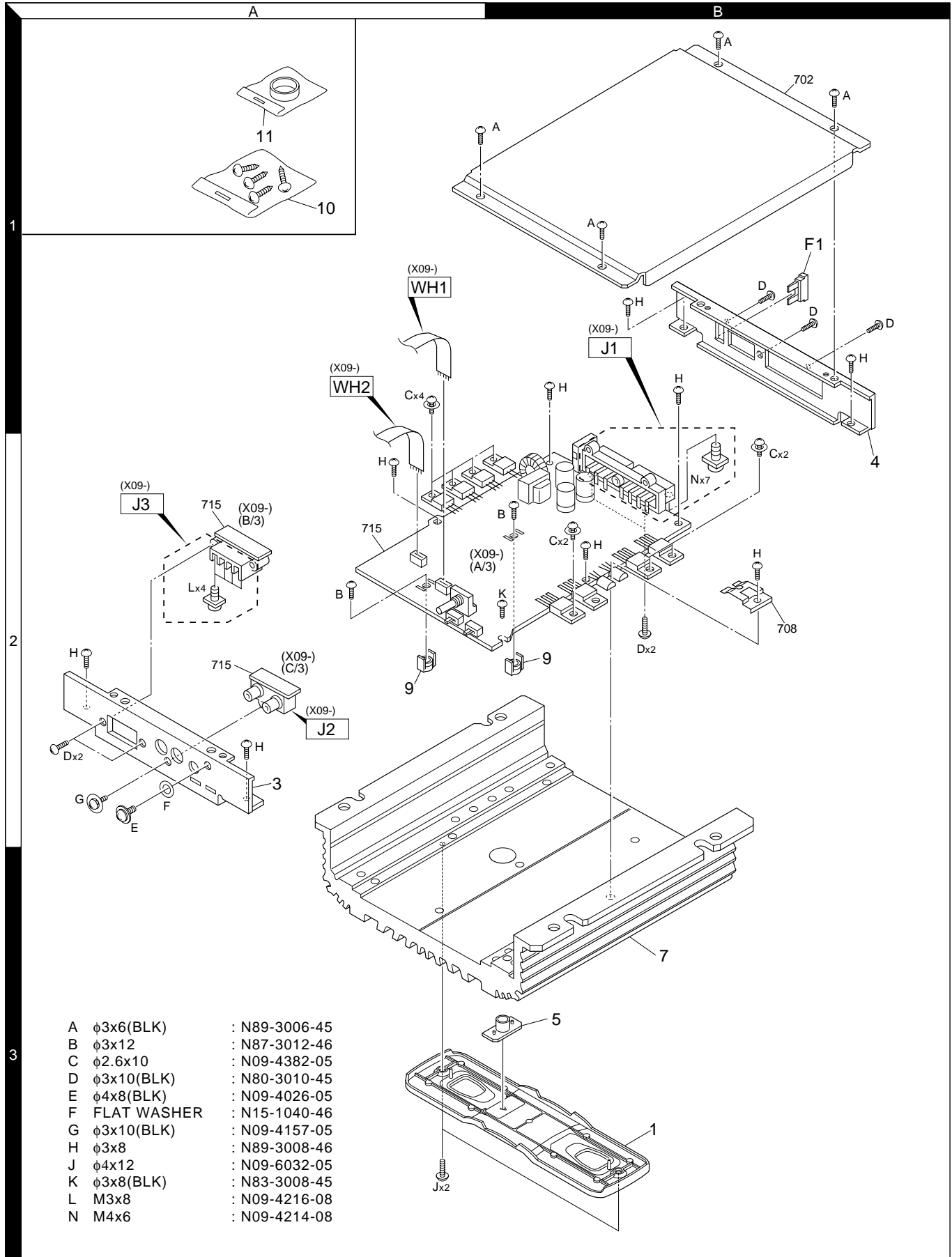
CAUTION : For continued safety, replace safety critical components only with manufacturer's recommended parts (refer to parts list).

⚠ Indicates safety critical components. To reduce the risk of electric shock, leakage-current or resistance measurements shall be carried out (exposed parts are acceptably insulated from the supply circuit) before the appliance is returned to the customer.

- DC voltages are as measured with a high impedance voltmeter. Values may vary slightly due to variations between individual instruments or/and units.

KAC-6201

EXPLODED VIEW



A	φ3x6(BLK)	:	N89-3006-45
B	φ3x12	:	N87-3012-46
C	φ2.6x10	:	N09-4382-05
D	φ3x10(BLK)	:	N80-3010-45
E	φ4x8(BLK)	:	N09-4026-05
F	FLAT WASHER	:	N15-1040-46
G	φ3x10(BLK)	:	N09-4157-05
H	φ3x8	:	N89-3008-46
J	φ4x12	:	N09-6032-05
K	φ3x8(BLK)	:	N83-3008-45
L	M3x8	:	N09-4216-08
N	M4x6	:	N09-4214-08

Parts with the exploded numbers larger than 700 are not supplied.

PARTS LIST

* New parts

Parts without **Parts No.** are not supplied.

Les articles non mentionnes dans le **Parts No.** ne sont pas fournis.

Teile ohne **Parts No.** werden nicht geliefert.

Ref. No.	Ad	New	Parts No.	Description	Destination
KAC-6201					
1	3B	*	A21-4266-02	DRESSING PANEL	
3	2A	*	A64-3049-02	PANEL	
4	1B	*	A84-0344-02	REAR PANEL	
5	3B		B19-2213-04 B46-0100-50	LIGHTING BOARD WARRANTY CARD	E1M1K
-			B64-2558-00	INSTRUCTION MANUAL (ENGLISH)	KE1
-			B64-2559-00	INSTRUCTION MANUAL (FRE.SPA.)	KE1
-			B64-2560-00	INSTRUCTION MANUAL (GER.DUT.)	E1
-			B64-2561-00	INSTRUCTION MANUAL (ITA.POR.)	E1
-			B64-2562-00	INSTRUCTION MANUAL (ENG.TCHI)	M1
7	3B	*	F01-1725-01	HEAT SINK	
△ F1	1B		F52-0014-05	FUSE (BLADE TYPE) 25A	
-			H10-4863-03	POLYSTYRENE FOAMED FIXTURE	
-			H25-0336-04	PROTECTION BAG (170X250X0.03)	
-			H25-0342-04	PROTECTION BAG (350X350X0.03)	
-		*	H54-2834-03	ITEM CARTON CASE	KE1J1
-		*	H54-2871-03	ITEM CARTON CASE	M1
9	2B		J30-1066-14	SPACER	
10	1A		N99-1587-05	SCREW SET	
A	1B		N89-3006-45	BINDING HEAD TAPTITE SCREW	
B	2A		N87-3012-46	BRAZIER HEAD TAPTITE SCREW	
C	2B		N09-4382-05	TAPTITE SCREW (2.6X10)	
D	1B		N80-3010-45	PAN HEAD TAPTITE SCREW	
E	2A		N09-4026-05	TAPPING SCREW (4X8,TP,S)	
F	2A		N15-1040-46	FLAT WASHER (4)	
G	2A		N09-4157-05	SEMS (TAPTITE SCREW)	
H	2B		N89-3008-46	BINDING HEAD TAPTITE SCREW	
J	3A		N09-6032-05	DRESSED SCREW (TORX,4X12)	
K	2B		N83-3008-45	PAN HEAD TAPTITE SCREW	
L	2A		N09-4216-08	SEMS (M3)	
N	2B		N09-4214-08	SEMS (M4)	
11	1A		W01-1607-05	ACCESSORY	
AUDIO UNIT (X09-5650-10)					
D12			B30-1460-05	LED (RED)	
C1,2			CF92FV1H102J	MF-C 1000PF J	
C5,6			CE04DW1H100M	ELECTRO 10UF 50WV	
C7,8			CC45FSL1H220J	CERAMIC 22PF J	
C11,12			CC45FSL1H220J	CERAMIC 22PF J	
C13,14			CE04DW1C220M	ELECTRO 22UF 16WV	
C15			CF92FV1H102J	MF-C 1000PF J	
C16			CE04DW1H2R2M	ELECTRO 2.2UF 50WV	
C17			CE04DW1HR33M	ELECTRO 0.33UF 50WV	
C18			CE04DW1HR47M	ELECTRO 0.47UF 50WV	
C19			CE04DW1H0R1M	ELECTRO 0.1UF 50WV	
C20			CF92FV1H823J	MF-C 0.082UF J	

Ref. No.	Ad	New	Parts No.	Description	Destination
C21			CF92FV1H124J	MF-C 0.12UF J	
C22			CF92FV1H223J	MF-C 0.022UF J	
C25-28			CE04DW1V220M	ELECTRO 22UF 35WV	
C37			CF92FV1H104J	MF-C 0.10UF J	
C38			CE04DW1V101M	ELECTRO 100UF 35WV	
C39			CE04DW1H010M	ELECTRO 1.0UF 50WV	
C40			CF92FV1H102J	MF-C 1000PF J	
C41			CE04DW1H100M	ELECTRO 10UF 50WV	
C42			CE04DW1H0R1M	ELECTRO 0.1UF 50WV	
C43			CE04DW1V471M	ELECTRO 470UF 35WV	
C45			C90-2689-05	ELECTRO 3300UF 16WV	
C46,47			C90-2780-05	ELECTRO 2200UF 35WV	
C48			CE04DW1C221M	ELECTRO 220UF 16WV	
C49			CE04DW1H2R2M	ELECTRO 2.2UF 50WV	
C50			CE04DW1V220M	ELECTRO 22UF 35WV	
C51			CK45FB1H182K	CERAMIC 1800PF K	
C53			CE04DW1V220M	ELECTRO 22UF 35WV	
C54			CK45FB1H222K	CERAMIC 2200PF K	
C55,56			CE04DW1V220M	ELECTRO 22UF 35WV	
C57			CC45FSL1H060D	CERAMIC 6.0PF D	
C58			CC45FSL1H100D	CERAMIC 10PF D	
C59,60			CF92FV1H472J	MF-C 4700PF J	
C61,62			CC45FSL1H101J	CERAMIC 100PF J	
C63,64			CK45FB1H102K	CERAMIC 1000PF K	
C67,68			CF92FV1H473J	MF-C 0.047UF J	
C70			CF92FV1H102J	MF-C 1000PF J	
C71-74			CC45FSL1H101J	CERAMIC 100PF J	
C75			CE04DW1C470M	ELECTRO 47UF 16WV	
C77			CE04DW1C100M	ELECTRO 10UF 16WV	
C79,80			CE04DW1C220M	ELECTRO 22UF 16WV	
C81-84			CF92FV1H472J	MF-C 4700PF J	
C85			CE04DW1A101M	ELECTRO 100UF 10WV	
C100			CE04DW1H0R1M	ELECTRO 0.1UF 50WV	
CN1,2			E40-9472-05	FLAT CABLE CONNECTOR	
J1			E70-0831-15	SCREW TERMINAL BOARD (7P)	
J2			E63-0876-05	PIN JACK	
J3			E70-0834-15	SCREW TERMINAL BOARD (4P)	
TP1			E40-3640-05	PIN ASSY	
WH1,2			E31-8122-05	LEAD WIRE	
L1			L33-1809-05	CHOKE COIL	
T1			L19-0549-05	TRANSFORMER FOR CONVERTER	
D	2B		N80-3010-45	PAN HEAD TAPTITE SCREW	
R1,2			RD14BB2C102J	RD 1.0K J 1/6W	
R3,4			RD14BB2C222J	RD 2.2K J 1/6W	
R5,6			RD14BB2C103J	RD 10K J 1/6W	
R7,8			RD14BB2C222J	RD 2.2K J 1/6W	
R9,10			RD14BB2C560J	RD 56 J 1/6W	
R11-14			RD14BB2C222J	RD 2.2K J 1/6W	
R15			RD14BB2C102J	RD 1.0K J 1/6W	
R16-19			RD14BB2C203J	RD 20K J 1/6W	
R20,21			RD14BB2C101J	RD 100 J 1/6W	
R22,23			RD14BB2C152J	RD 1.5K J 1/6W	

E : Europe K : North America J : Japan M : Other Areas

△ Indicates safety critical components.

KAC-6201

PARTS LIST

* New parts

Parts without **Parts No.** are not supplied.

Les articles non mentionnes dans le **Parts No.** ne sont pas fournis.

Teile ohne **Parts No.** werden nicht geliefert.

Ref. No.	A d d	N e w	Parts No.	Description	Desti- nation	Ref. No.	A d d	N e w	Parts No.	Description	Desti- nation
R24,25			RD14BB2C332J	RD 3.3K J 1/6W		R127,128			RD14BB2E100J	RD 10 J 1/4W	
R26-28			RD14BB2C472J	RD 4.7K J 1/6W		R129-144			RD14BB2E102J	RD 1.0K J 1/4W	
R29			RD14BB2C182J	RD 1.8K J 1/6W		R157-160			RD14BB2C151J	RD 150 J 1/6W	
R30			RD14BB2C102J	RD 1.0K J 1/6W		R161			RD14BB2C473J	RD 47K J 1/6W	
R31			RD14BB2C682J	RD 6.8K J 1/6W		R163,164			RD14BB2C104J	RD 100K J 1/6W	
R32			RD14BB2C822J	RD 8.2K J 1/6W		R166			RD14BB2C562J	RD 5.6K J 1/6W	
R33			RD14BB2C223J	RD 22K J 1/6W		R167,168			RD14BB2C472J	RD 4.7K J 1/6W	
R34-36			RD14BB2C273J	RD 27K J 1/6W		R171-174			RD14BB2C102J	RD 1.0K J 1/6W	
R37,38			RD14BB2C222J	RD 2.2K J 1/6W		R175-178			RD14BB2C302J	RD 3.0K J 1/6W	
R41-44			RD14BB2C183J	RD 18K J 1/6W		R179			RD14BB2C103J	RD 10K J 1/6W	
R45			RD14BB2C102J	RD 1.0K J 1/6W		R180			RD14BB2C223J	RD 22K J 1/6W	
R46-49			RD14BB2C103J	RD 10K J 1/6W		VR1			R31-0209-05	VARIABLE RESISTOR	
R51			RD14BB2C154J	RD 150K J 1/6W		VR2,3			R32-0032-05	SEMI FIXED VARIABLE RESISTOR	
R52			RD14BB2C332J	RD 3.3K J 1/6W		S1,2			S31-2630-05	SLIDE SWITCH	
R53,54			RD14BB2C122J	RD 1.2K J 1/6W		D1-4			1SS133	DIODE	
R55,56			RD14BB2C332J	RD 3.3K J 1/6W		D7			RD7.5JS(B)	ZENER DIODE	
R57			RD14BB2C303J	RD 30K J 1/6W		D8			1SS133	DIODE	
R58			RD14BB2C223J	RD 22K J 1/6W		D9,10			RD16JS(B)	ZENER DIODE	
R59			RD14BB2C101J	RD 100 J 1/6W		D11			RD8.2JS(B)	ZENER DIODE	
R60			RD14BB2C103J	RD 10K J 1/6W		D13			FMU22S*A	DIODE	
R61			RD14BB2C273J	RD 27K J 1/6W		D14			FMU22R*A	DIODE	
R62			RD14BB2C684J	RD 680K J 1/6W		D15			1N5406-M	DIODE	
R63			RD14BB2C272J	RD 2.7K J 1/6W		D16-19			1SS133	DIODE	
R64			RD14BB2C273J	RD 27K J 1/6W		D25-30			1SS133	DIODE	
R65			RD14BB2C222J	RD 2.2K J 1/6W		D31			RD5.1JS(B2)	ZENER DIODE	
R66			RD14BB2C103J	RD 10K J 1/6W		D32,33			1SS133	DIODE	
R67			RD14BB2C163J	RD 16K J 1/6W		D34			RD16JS(B)	ZENER DIODE	
R68			RD14BB2C681J	RD 680 J 1/6W		D35			RD8.2JS(B)	ZENER DIODE	
R69			RD14BB2C472J	RD 4.7K J 1/6W		D36-42			1SS133	DIODE	
R70			RD14BB2C272J	RD 2.7K J 1/6W		IC1			UPC4574C	IC (OP AMP X4)	
R71			RD14BB2C362J	RD 3.6K J 1/6W		IC3			NJM4565D	ANALOGUE IC	
R72			RS14KB3A471J	FL-PROOF RS 470 J 1W		IC4			UPC494C	IC (SWITCHING REGULATOR)	
R73			RD14BB2C682J	RD 6.8K J 1/6W		Q1,2			2SC945(A)(Q,P)	TRANSISTOR	
R74,75			RD14BB2E152J	RD 1.5K J 1/4W		Q3-6			2SA733(A)(Q,P)	TRANSISTOR	
R76			RS14KB3A471J	FL-PROOF RS 470 J 1W		Q7,8			2SC945(A)(Q,P)	TRANSISTOR	
R77			RD14BB2E100J	RD 10 J 1/4W		Q9,10			2SC945(A)(Q,P)	TRANSISTOR	
R78,79			RD14BB2C752J	RD 7.5K J 1/6W		Q11,12			2SC1627A	TRANSISTOR	
R80,81			RD14BB2C823J	RD 82K J 1/6W		Q13,14			2SA817A	TRANSISTOR	
R82-85			RD14BB2C821J	RD 820 J 1/6W		Q17,18			IRFIZ34G	FET	
R86			RD14BB2C392J	RD 3.9K J 1/6W		Q19			2SC945(A)(Q,P)	TRANSISTOR	
R87			RD14BB2C752J	RD 7.5K J 1/6W		Q21			2SC3940A(R,S)	TRANSISTOR	
R88,89			RD14BB2E823J	RD 82K J 1/4W		Q22			DTA124EL	DIGITAL TRANSISTOR	
R90,91			RD14BB2C101J	RD 100 J 1/6W		Q23,24			2SC945(A)(Q,P)	TRANSISTOR	
R92,93			RD14BB2C560J	RD 56 J 1/6W		Q25,26			2SA992(F,E)	TRANSISTOR	
R94-97			RD14BB2C332J	RD 3.3K J 1/6W		Q29,30			2SC5100LB	TRANSISTOR	
R98			RD14DB2H331J	SMALL-RD 330 J 1/2W		Q31,32			2SA1908LB	TRANSISTOR	
R99			RD14BB2C910J	RD 91 J 1/6W		Q35,36			2SC945(A)(Q,P)	TRANSISTOR	
R100,101			RD14BB2C302J	RD 3.0K J 1/6W		Q37			2SA733(A)(Q,P)	TRANSISTOR	
R102,103			RD14BB2C102J	RD 1.0K J 1/6W		Q38-40			2SC945(A)(Q,P)	TRANSISTOR	
R104-107			RD14BB2C101J	RD 100 J 1/6W		Q41			2SC1845(F,E)	TRANSISTOR	
R108,109			RD14DB2H221J	SMALL-RD 220 J 1/2W		TH1			ERT-D2ZHL103S	THERMISTOR	
R112-115			R92-2115-05	METAL FILM 0.1 J 2W							
R122			RD14DB2H100J	SMALL-RD 10 J 1/2W							
R123,124			RD14BB2C391J	RD 390 J 1/6W							
R125,126			RD14BB2C152J	RD 1.5K J 1/6W							

E : Europe K : North America J : Japan M : Other Areas

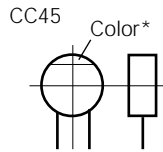
△ Indicates safety critical components.

PARTS LIST

CAPACITORS

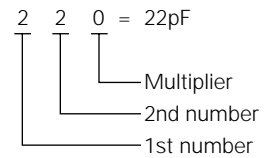
CC 45 TH 1H 220 J
 1 2 3 4 5 6

- 1 = Type ... ceramic, electrolytic, etc.
- 2 = Shape ... round, square, etc.
- 3 = Temp. coefficient
- 4 = Voltage rating
- 5 = Value
- 6 = Tolerance



• Capacitor value

- 010 = 1pF
- 100 = 10pF
- 101 = 100pF
- 102 = 1000pF = 0.001μF
- 103 = 0.01μF



• Temperature coefficient

1st Word	C	L	P	R	S	T	U
Color*	Black	Red	Orange	Yellow	Green	Blue	Violet
ppm/°C	0	-80	-150	-220	-330	-470	-750

2nd Word	G	H	J	K	L
ppm/°C	±30	±60	±120	±250	±500

Example : CC45TH = -470±60ppm/°C

• Tolerance (More than 10pF)

Code	C	D	G	J	K	M	X	Z	P	No code
(%)	±0.25	±0.5	±2	±5	±10	±20	+40 -20	+80 -20	+100 -0	More than 10μF : -10~+50 Less than 4.7μF : -10~+75

(Less than 10pF)

Code	B	C	D	F	G
(pF)	±0.1	±0.25	±0.5	±1	±2

• Voltage rating

2nd word	A	B	C	D	E	F	G	H	J	K	V	
1st word	0	1.0	1.25	1.6	2.0	2.5	3.15	4.0	5.0	6.3	8.0	-
1	10	12.5	16	20	25	31.5	40	50	63	80	35	
2	100	125	160	200	250	315	400	500	630	800	-	
3	1000	1250	1600	2000	2500	2150	4000	5000	6300	8000	-	

CHIP CAPACITORS

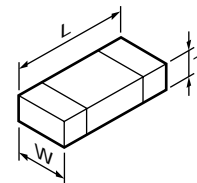
(EX) CC 73 F SL 1H 000 J
 1 2 3 4 5 6 7
 (Chip) (CH, RH, UJ, SL)

(EX) CK 73 F F 1H 000 Z
 1 2 3 4 5 6 7
 (Chip) (B, F)

Refer to the table above.

- 1 = Type
- 2 = Shape
- 3 = Dimension
- 4 = Temp. coefficient
- 5 = Voltage rating
- 6 = Value
- 7 = Tolerance

• Dimension



Chip capacitor

Code	L	W	T
Empty	5.6±0.5	5.0±0.5	Less than 2.0
A	4.5±0.5	3.2±0.4	Less than 2.0
B	4.5±0.5	2.0±0.3	Less than 2.0
C	4.5±0.5	1.25±0.2	Less than 1.25
D	3.2±0.4	2.5±0.3	Less than 1.5
E	3.2±0.2	1.6±0.2	Less than 1.25
F	2.0±0.3	1.25±0.2	Less than 1.25
G	1.6±0.2	0.8±0.2	Less than 1.0
H	1.0±0.05	0.5±0.05	0.5±0.05

Chip resistor

Code	L	W	T
E	3.2±0.2	1.6±0.2	1.0
F	2.0±0.3	1.25±0.2	1.0
G	1.6±0.2	0.8±0.2	0.5±0.1
H	1.0±0.05	0.5±0.05	0.35±0.05

RESISTORS

• Chip resistor (Carbon)

(EX) RD 73 E B 2B 000 J
 1 2 3 4 5 6 7
 (Chip) (B, F)

• Carbon resistor (Normal type)

(EX) RD 14 B B 2C 000 J
 1 2 3 4 5 6 7
 (Chip) (B, F)

- 1 = Type ... ceramic, electrolytic, etc.
- 2 = Shape ... round, square, etc.
- 3 = Dimension
- 4 = Temp. coefficient
- 5 = Voltage rating
- 6 = Value
- 7 = Tolerance

• Rating wattage

Code	Wattage	Code	Wattage	Code	Wattage
1J	1/16W	2C	1/6W	3A	1W
2A	1/10W	2E	1/4W	3D	2W
2B	1/8W	2H	1/2W		

KAC-6201

SPECIFICATIONS

Audio Section

Rated Power Output

4Ω, 20Hz~20kHz	60W x 2 (0.08% THD)
4Ω, DIN45324, +B=14.4V	60W x 2
2Ω, 1kHz	75W x 2 (0.8% THD)
Bridged Power (4Ω 1kHz)	150W x 1 (0.8% THD)
Max Power Output	350W x 2
Low-Pass Filter	80Hz (12dB/oct)
High-pass Filter	150Hz (12dB/oct)
Frequency Response (+0, -1dB)	10Hz~45kHz
S/N Ratio	100dB
Sensitivity (MAX)	0.2V (Rated Output)
Sensitivity (MIN)	5.0V (Rated Output)
Input Impedance	10kΩ

General

Operating Voltage (11V~16V allowable)	14.4V
Current Consumption (1kHz, 10% THD)	19A
Dimensions (W x H x D)	228 x 59 x 228 (mm)
	9 x 2-1/4 x 9 (inches)
Weight	2.8kg

KENWOOD follows a policy of continuous advancements in development. For this reason specifications may be changed without notice.

KENWOOD CORPORATION

2967-3, Ishikawa-machi, Hachioji-shi, Tokyo 192-8525, Japan

KENWOOD USA CORPORATION

P.O. BOX 22745, 2201 East Dominguez Street, Long Beach, CA90801-5745, U.S.A.

KENWOOD ELECTRONICS CANADA INC.

6070 Kestrel Road, Mississauga, Ontario, Canada L5T 1S8

KENWOOD ELECTRONICS LATIN AMERICA S.A.

P.O. Box 55-2791 Paitilla, Plaza Credicorp Bank Panama, Piso 9, Oficina 901, Calle 50, Panama, Rep. de Panama

KENWOOD ELECTRONICS BRASIL LTDA.

Alameda Ministro Rocha Azevedo No. 456, Edificio Jaú, 10o Andar, Cerqueira César, Cep 0140-001, São Paulo-SP-Brasil

KENWOOD ELECTRONICS UK LIMITED

Kenwood House, Dwight Road, Watford, Herts, WD18 9EB, United Kingdom

KENWOOD ELECTRONICS DEUTSCHLAND GMBH

Rembrücker-Str. 15, 63150 Heusenstamm, Germany

KENWOOD ELECTRONICS FRANCE S.A.

13, Boulevard Ney, 75018 Paris, France

KENWOOD ELECTRONICS BELGIUM N.V.

Leuvensesteenweg 248 J, 1800 Vilvoorde, Belgium

KENWOOD ELECTRONICS ITALIA S.p.A.

Via G. Sirtori 7/9, 20129 Milano, Italy

KENWOOD IBÉRICA S.A.

Bolivia, 239-08020 Barcelona, Spain

KENWOOD ELECTRONICS AUSTRALIA PTY. LTD. (A.C.N. 001 499 074)

16 Giffnock Avenue, Centrecourt Estate, North Ryde, N.S.W. 2113, Australia

KENWOOD ELECTRONICS (HONG KONG) LTD.

Unit 3712-3724, Level 37, Tower 1, Metroplaza, 223 Hing Fong Road, Kwai Fong, N.T., Hong Kong

KENWOOD ELECTRONICS GULF FZE

P.O. Box 61318, Jebel Ali, Dubai, U.A.E.

KENWOOD ELECTRONICS (THAILAND) CO., LTD.

2019 New Pechburi Road, Bangkapi, Huaykwang, Bangkok, 10320 Thailand

KENWOOD ELECTRONICS SINGAPORE PTE. LTD.

1 Genting Lane, #07-00, Kenwood Building, Singapore, 349544

KENWOOD ELECTRONICS (MALAYSIA) SDN BHD

#4.01 Level 4, Wisma Academy Lot 4A, Jalan 19/1, 46300 Petaling Jaya, Selangor Darul Ehsan, Malaysia